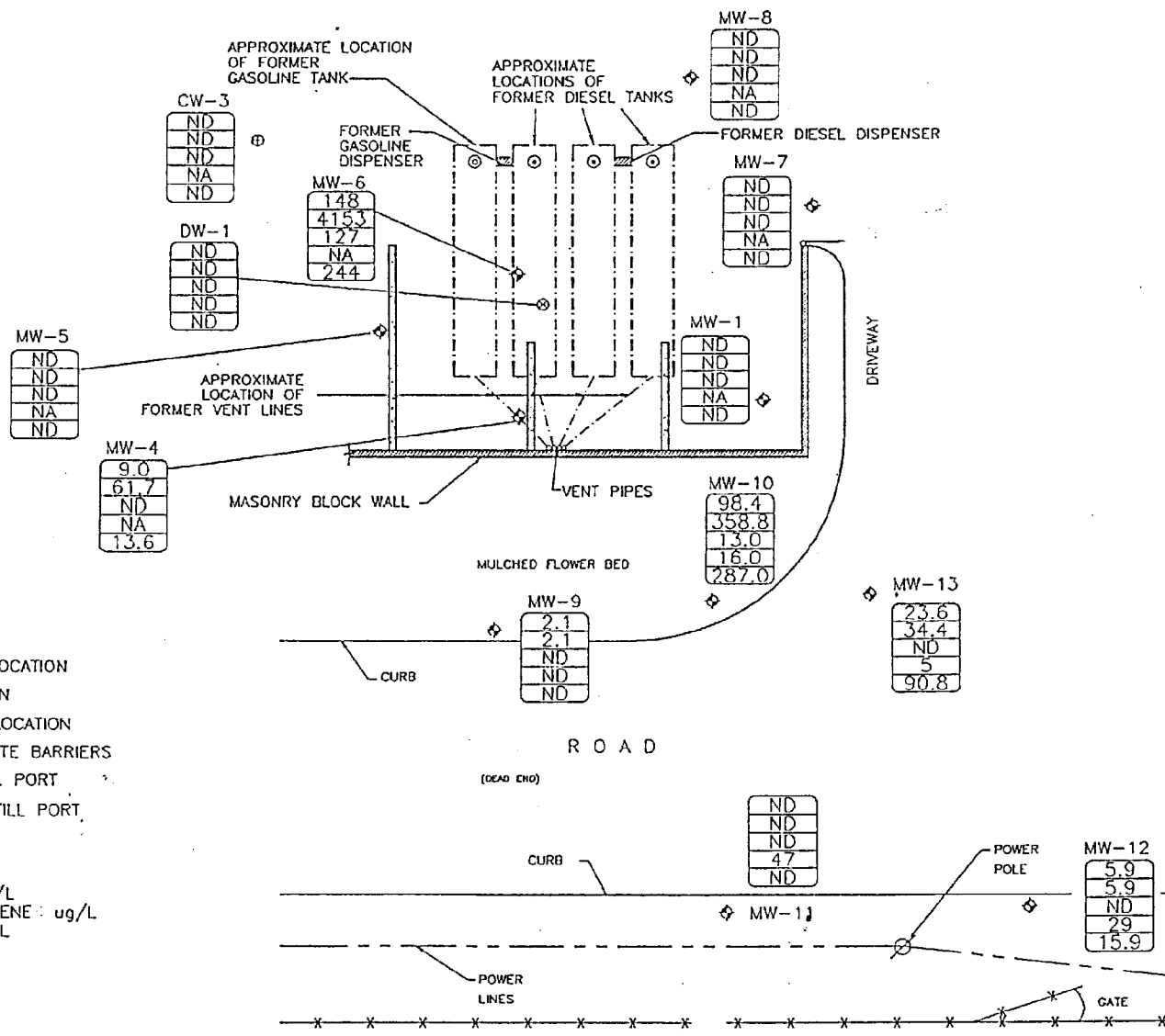


FIGURE 7B
GROUNDWATER QUALITY IMPACT MAP (AUGUST 1995)

SAMPLE - GROLLNDWATER CONTAMINATION CONCENTRATION MAP



LEGEND

- ◆ MONITORING WELL LOCATION
- ⊗ DEEP WELL LOCATION
- ⊕ COMPLIANCE WELL LOCATION
- ▬ TEMPORARY CONCRETE BARRIERS
- ⊙ FORMER DIESEL FILL PORT
- ⊙ FORMER GASOLINE FILL PORT

23.6	BENZENE ug/L
34.4	TOTAL VOA's ug/L
ND	NAPHTHALENE : ug/L
5	TOTAL LEAD ug/L
90.8	MTBE ug/L

ND NOT DETECTED
NA NOT ANALYZED

APPROXIMATE
Scale: 1" = 20'